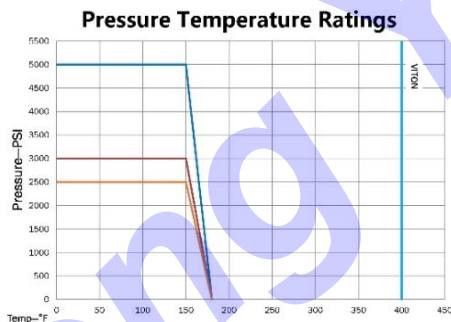
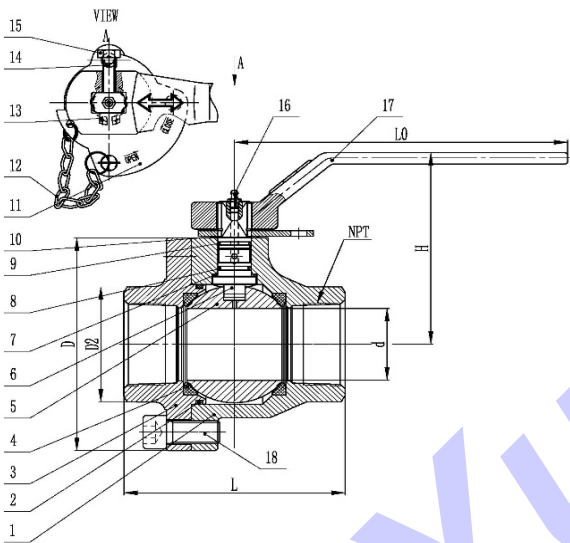
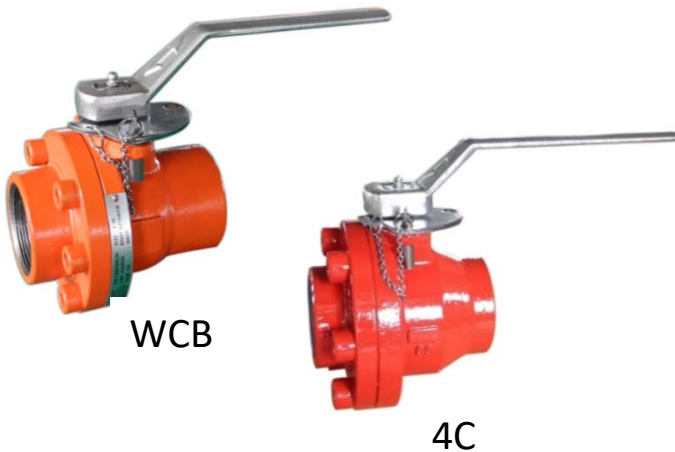


YONG YUAN VALVE

TWO-PIECE BOLTED DESIGN BALL VALVE

YBBC RP/FP SERIES



Features:

- Back-seated stem blow out proof and fire safe
- External stem lubrication and vented weather seal
- SS trim for maximum corrosion protection
- Available in both full and reduced port configurations
- Ball includes pressure equalization hole to prevent trapped pressure in the body cavity
- Standard locking handle to meet safety and security concerns with double locking feature for tank valves
- NACE MR0175
- Inspection and Test: API598
- Standard Trim as SS420
- 2500、3000 psi body with WCB material。2RP、2FP、3FP 5000 psi body with 4C material。

Parts & Materials

NO.	Description	Material
1	BODY	ASTM A216 WCB ASTM A487 4C
2	BODY O-RING	VITON
3	ADAPTER	ASTM A216 WCB ASTM A487 4C
4	BALL SEAT	DELTRIN
5	BALL*	ASTM A276 420
6	STEM*	ASTM A276 420
7	THRUST BEARING	PTFE
8	STEM SEAL O-ring	Viton
9	STEM SEAL O-ring	Viton
10	STEM BEARING	PTFE
11	STOP PLATE	CS+Ni
12	PIN WITH CHAIN	Stainless Steel
13	RETAINER	Spring Steel
14	STOP	Spring Steel
15	SCREW	Carbon Steel
16	GREASE ZERK	Carbon Steel
17	HANDLE	Ductile Iron
18	CAP SCREW	A193 B7M

“*” price will be offered on customer's requirement

Dimensions(in)

NPS	PART#	L	D	D2	d	H	L0	Weight (lbs)	TORQUE (in·lb)
2"RP	YBBC09L30	5.50	4.92	3.00	1.50	4.94	10.0	13.12	1750
2"RP	YBBC09L50	5.50	4.92	3.00	1.50	4.94	10.0	13.12	2700
2"FP	YBBC09L30F	5.75	5.91	3.13	2.00	5.32	10.0	19.6	2350
2"FP	YBBC09L50F	5.75	5.91	3.13	2.00	5.32	10.0	19.6	3850
3"FP	YBBC11L30F	8.13	7.87	4.53	3.00	7.31	20.0	48.94	4100
3"FP	YBBC11L50F	8.13	7.87	4.53	3.00	7.31	31.5	49.93	7080

*Torque at Full Rated Pressure

TEL:0086-579-8715288
E-mail:cnyvc@cnyvc.com

0086-579-8725688
yu@cnyvc.com

FAX:0086-579-87151442
HTTP:www.oil-fieldvalve.com